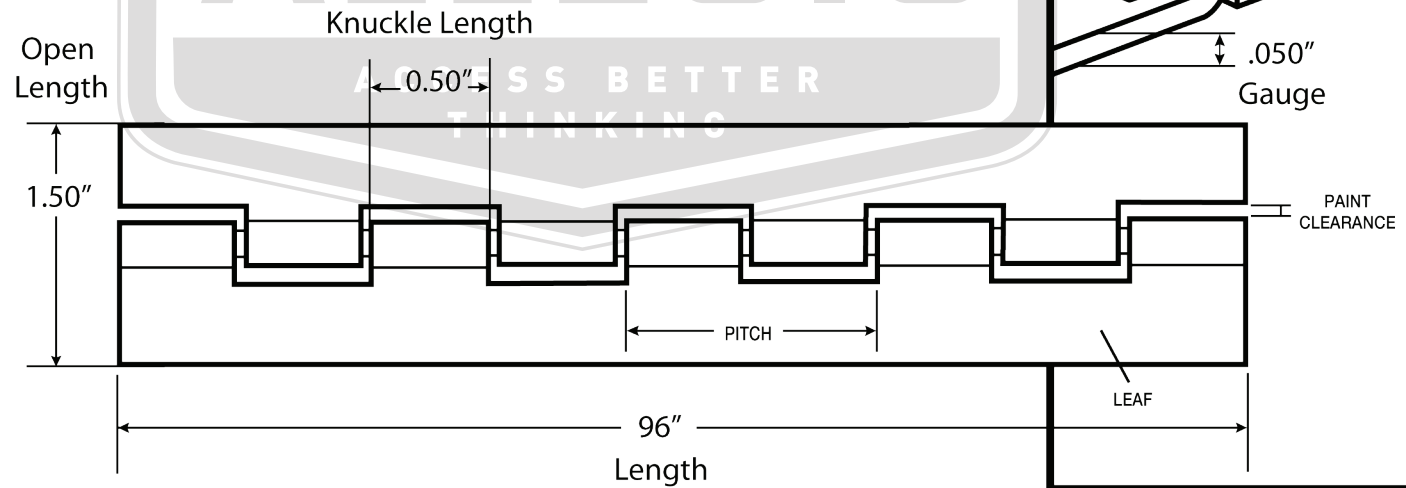
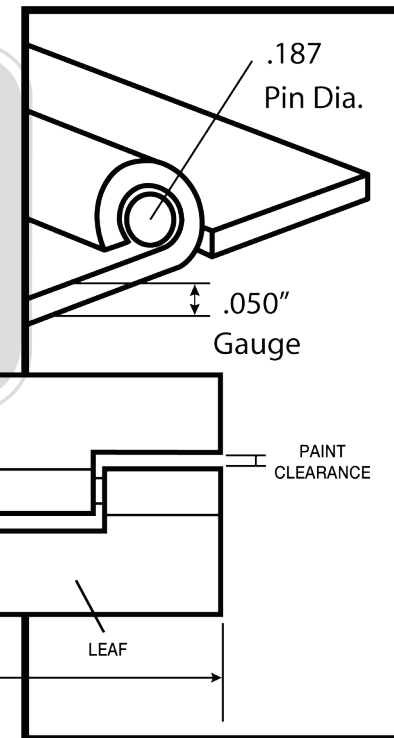


APPROVAL - CUSTOMER NAME & SIGNATURE

DATE

Medium-Light Weight (.050) Continuous Hinge

	Part Number	Gauge	Open Width In.	Pin Diameter In.	Length In.	Knuckle Length In.
Stainless Steel	H811 PSS	.050	1-1/2	.187	72	1/2
	H811 SS	.050	1-1/2	.187	96	1/2
	H812 SS	.050	2	.250	72	1/2
	H819 SS	.050	3	.187	72	1/2
	H819 SS X96	.050	3	.187	96	1/2
	H816 SS	.050	3	.250	72	1/2
	H816 SS X96	.050	3	.250	96	1/2



ALLEGIS		1-866-378-7550
MATERIAL:	Stainless Steel	DRAWING NO. : H8XXSS
FINISH:		
REV.:	1:1	DATE: 6/17/2019